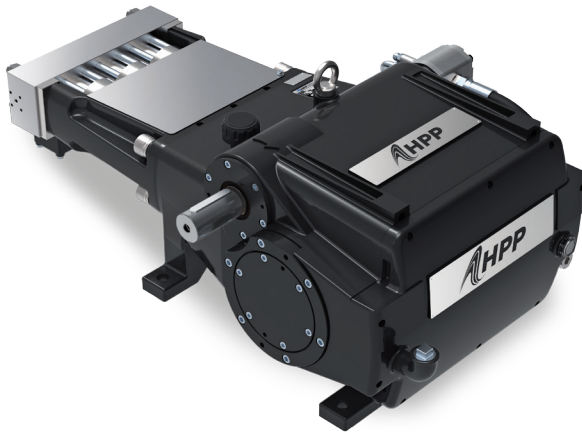



H-200 SAP



LEGEND

 With tungsten carbide plunger

 With forced lubrication














 Heat exchanger

 Vertical assembling

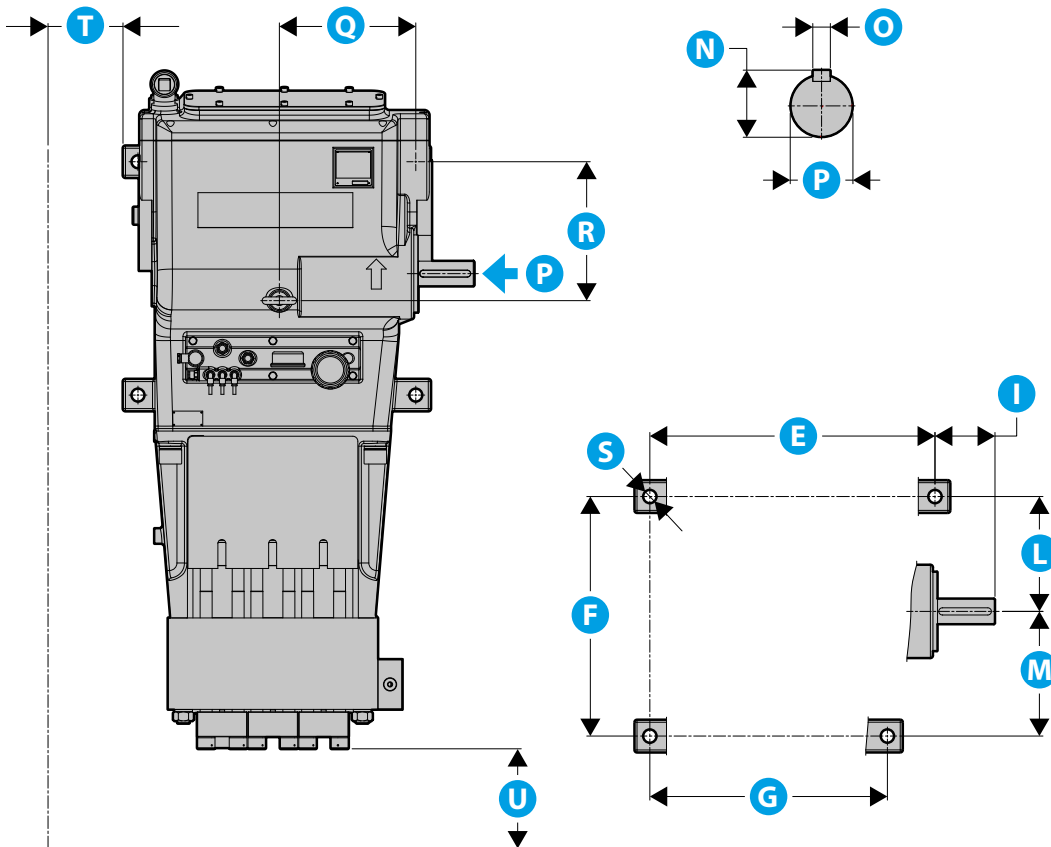
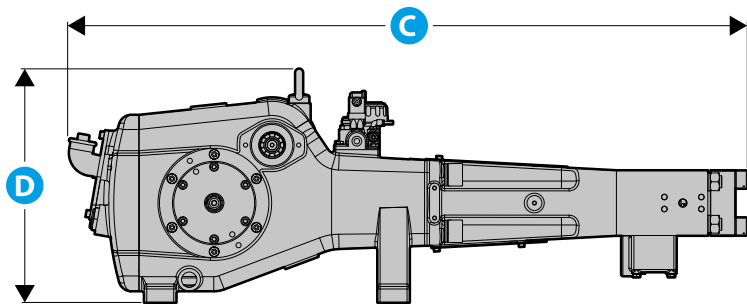
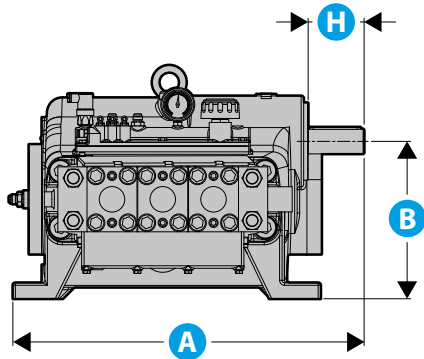
 Horizontal assembling

SAP SERIES UP TO 1500 BAR

 H-200 SAP   

|  IV GENERATION |  IV GENERATION |  |  |  |  |  |  |  |  |  |  |  | | |
|---|---|---|---|---|---|---|---|---|---|---|---|---|-----|------|
| Code | Code | Ø mm | rpm | gear ratio | rpm | l/min | USgpm | bar | psi | MPa | HP | kW | kg | lb |
| P232052V14220 | P232052H14220 | 22 | 1500 | 3,14 | 478 | 54,5 | 14,4 | 1470 | 21315 | 147 | 201,8 | 148,4 | 500 | 1103 |
| P232062V14220 | P232062H14220 | | 1800 | 3,79 | 475 | 54,1 | 14,3 | 1470 | 21315 | 147 | 200,4 | 147,4 | 500 | 1103 |
| P232052V14240 | P232052H14240 | 24 | 1500 | 3,14 | 478 | 64,9 | 17,1 | 1300 | 18850 | 130 | 212,4 | 156,2 | 500 | 1103 |
| P232062V14240 | P232062H14240 | | 1800 | 3,79 | 475 | 64,4 | 17,0 | 1300 | 18850 | 130 | 210,9 | 155,1 | 500 | 1103 |
| P232052V14260 | P232052H14260 | 26 | 1500 | 3,14 | 478 | 76,1 | 20,1 | 1200 | 17400 | 120 | 230,1 | 169,2 | 500 | 1103 |
| P232062V14260 | P232062H14260 | | 1800 | 3,79 | 475 | 75,6 | 20,0 | 1200 | 17400 | 120 | 228,5 | 168,0 | 500 | 1103 |
| P232052V14280 | P232052H14280 | 28 | 1500 | 3,14 | 478 | 88,3 | 23,3 | 1000 | 14500 | 100 | 222,3 | 163,5 | 500 | 1103 |
| P232062V14280 | P232062H14280 | | 1800 | 3,79 | 475 | 87,7 | 23,2 | 1000 | 14500 | 100 | 220,8 | 162,4 | 500 | 1103 |
| P232052V14300 | P232052H14300 | 30 | 1500 | 3,14 | 478 | 101,4 | 26,8 | 800 | 11600 | 80 | 204,2 | 150,2 | 500 | 1103 |
| P232062V14300 | P232062H14300 | | 1800 | 3,79 | 475 | 100,7 | 26,6 | 800 | 11600 | 80 | 202,8 | 149,2 | 500 | 1103 |
| P232052V14320 | P232052H14320 | 32 | 1500 | 3,14 | 478 | 115,3 | 30,5 | 700 | 10150 | 70 | 203,3 | 149,5 | 500 | 1103 |
| P232062V14320 | P232062H14320 | | 1800 | 3,79 | 475 | 114,5 | 30,3 | 700 | 10150 | 70 | 201,9 | 148,5 | 500 | 1103 |
| P232052V14350 | P232052H14350 | 35 | 1500 | 3,14 | 478 | 138,0 | 36,5 | 600 | 8700 | 60 | 208,5 | 153,3 | 500 | 1103 |
| P232062V14350 | P232062H14350 | | 1800 | 3,79 | 475 | 137,0 | 36,2 | 600 | 8700 | 60 | 207,0 | 152,3 | 500 | 1103 |
| P232052V14400 | P232052H14400 | 40 | 1500 | 3,14 | 478 | 180,2 | 47,6 | 450 | 6525 | 45 | 204,2 | 150,2 | 500 | 1103 |
| P232062V14400 | P232062H14400 | | 1800 | 3,79 | 475 | 179,0 | 47,3 | 450 | 6525 | 45 | 202,8 | 149,2 | 500 | 1103 |

DIMENSIONS



| Pump Model | | H-200 SAP |
|------------|------|--------------------------|
| A | mm | 703 |
| | (in) | (27,68) |
| B | mm | 315 |
| | (in) | (12,40) |
| C | mm | 1220 |
| | (in) | (48,03) |
| D | mm | 467,5 |
| | (in) | (18,41) |
| E | mm | 556 |
| | (in) | (21,89) |
| F | mm | 467 |
| | (in) | (18,39) |
| G | mm | 556 |
| | (in) | (21,89) |
| H | mm | 112 |
| | (in) | (4,41) |
| I | mm | 117 |
| | (in) | (4,61) |
| L | mm | 224 |
| | (in) | (8,82) |
| M | mm | 243 |
| | (in) | (9,57) |
| N | mm | 53,5 |
| | (in) | (2,11) |
| O | mm | 14 (DIN 6885) |
| | (in) | (0,55) |
| P | mm | ø 50 +0,018 +0,002 |
| | (in) | (ø 1,97) |
| Q | mm | 273 |
| | (in) | (10,75) |
| R | mm | 278 |
| | (in) | (10,94) |
| S | mm | ø 26 |
| | (in) | (ø 1,02) |
| T | mm | 150 |
| | (in) | (5,91) |
| U | mm | 500 |
| | (in) | (19,69) |

PUMP ACCESSORIES

REGULATING VALVES



PNEUMATIC CONTROL VALVES



SAFETY VALVES



PRESSURE GAUGES

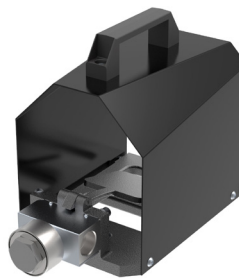


ACCESSORIES FOR WORK

DUMP SHUT GUNS / UNDERWATER GUNS / PNEUMATIC GUNS



DUMP TYPE FOOT VALVE



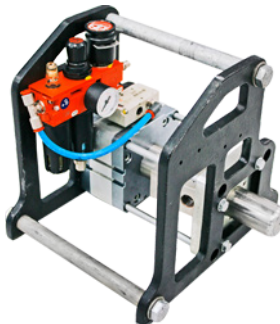
MULTI-JET

Multi-purpose surface. Preparation system for floors and hulls. 2800 bar (40K psi).



POWER BOX

3/2" Ultra High Pressure control valve to control the gun's water flow and/or operate with a multi-gun system.



HIGH PRESSURE HOSES
ULTRA HIGH PRESSURE HOSES



FLEXIBLE LANCE NOZZLES
RIGID LANCE NOZZLES



HIGH PRESSURE SWIVEL FOR HOSES



ROTATING NOZZLES



PROTECTIVE CLOTHING FOR WATERJETTING (TST)



FLEXIBLE LANCES / RIGID LANCES



"TURBO" NOZZLES





Distributed by: / Distribuito da:

P.T.C. Srl › via Mantegna, 4 - 42048 Rubiera (RE) - Italy

Phone: +39 0522/1932911 › Fax: +39 0522/1932922

mail: info@ptcitaliana.com › website: www.ptcitaliana.com
